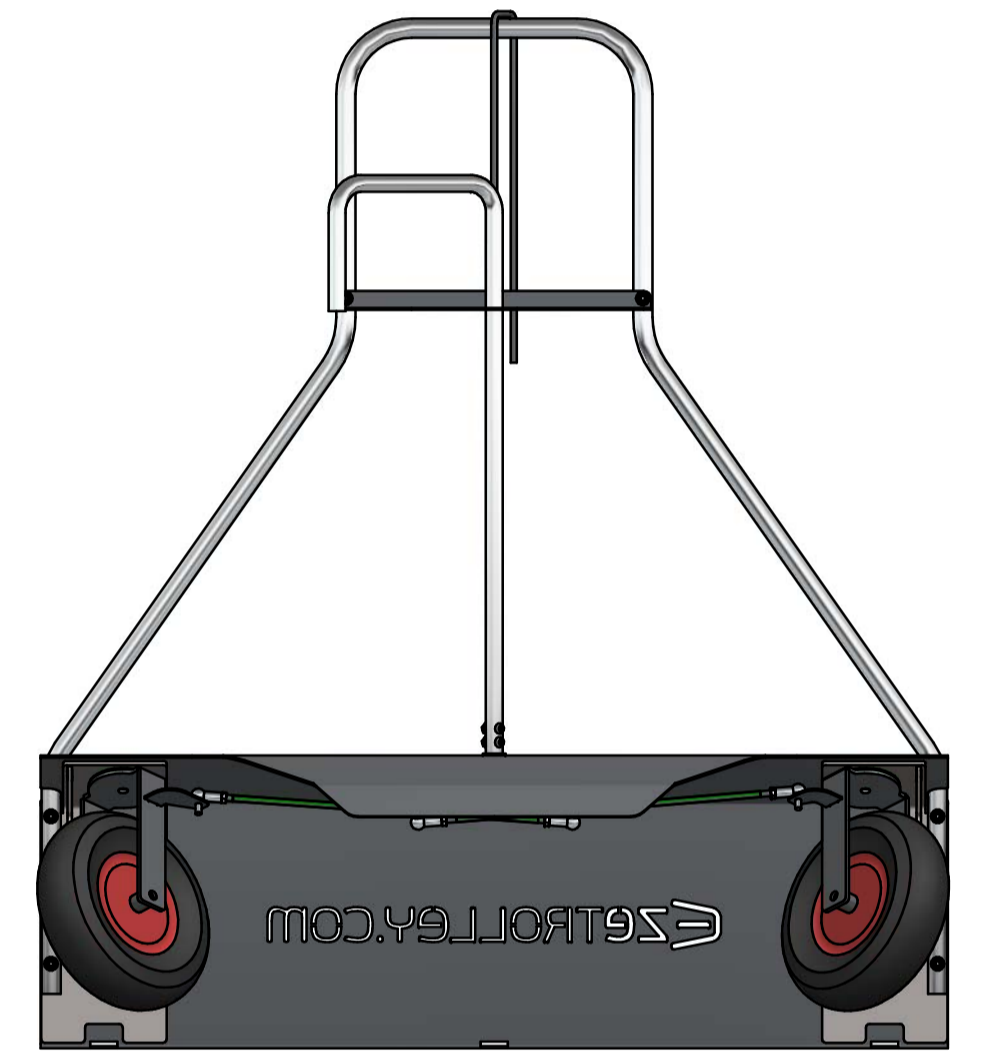
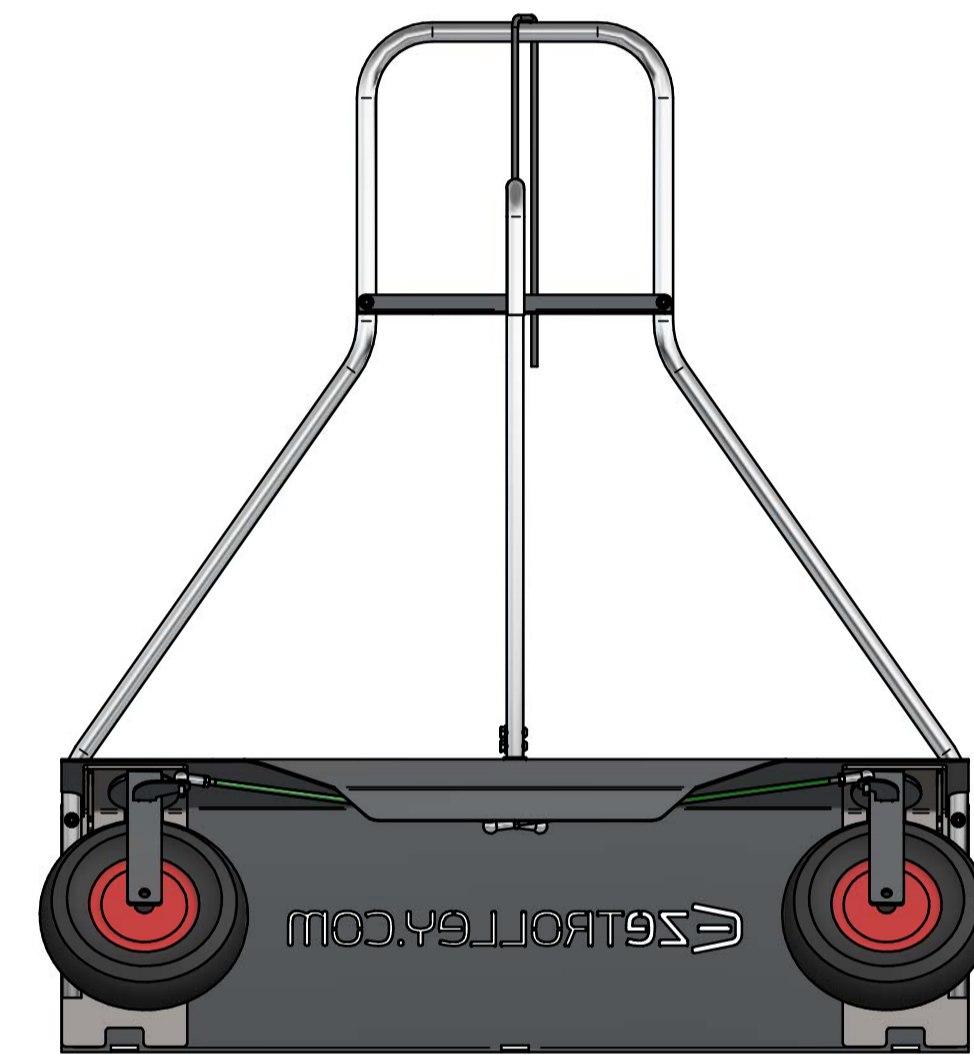
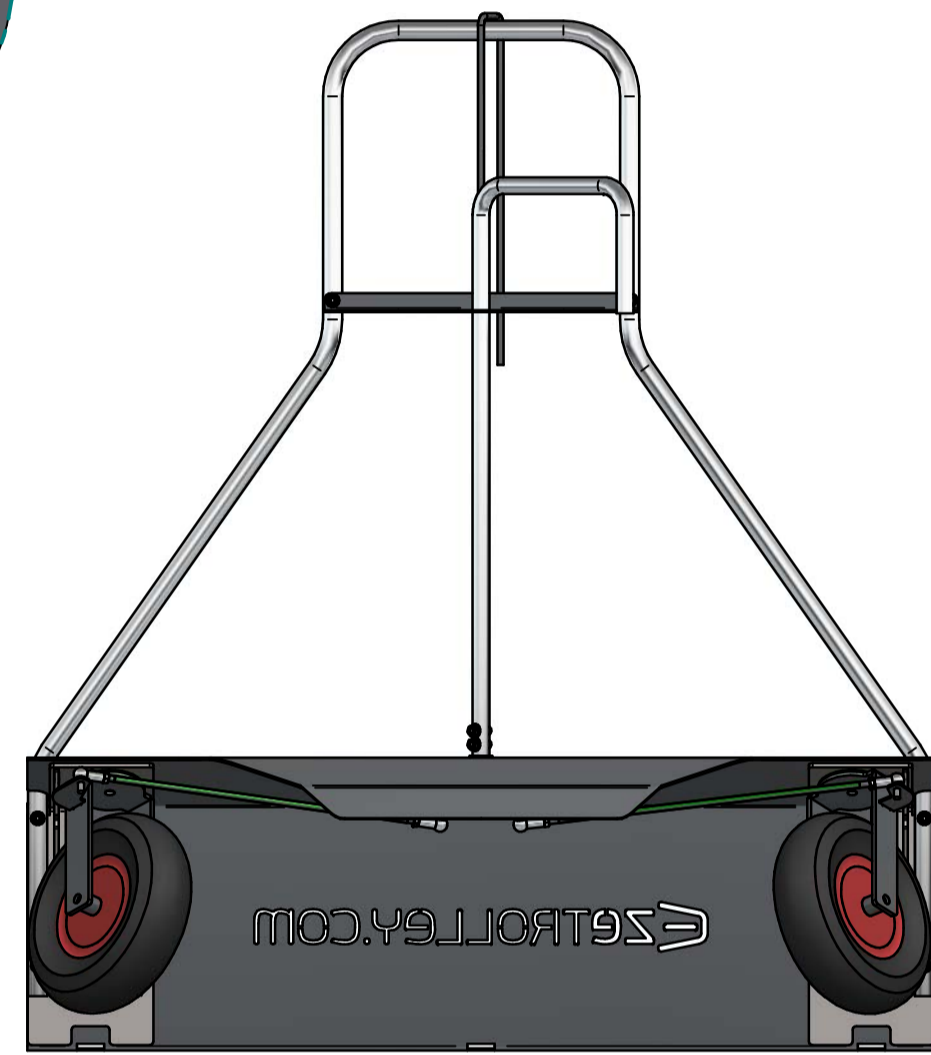
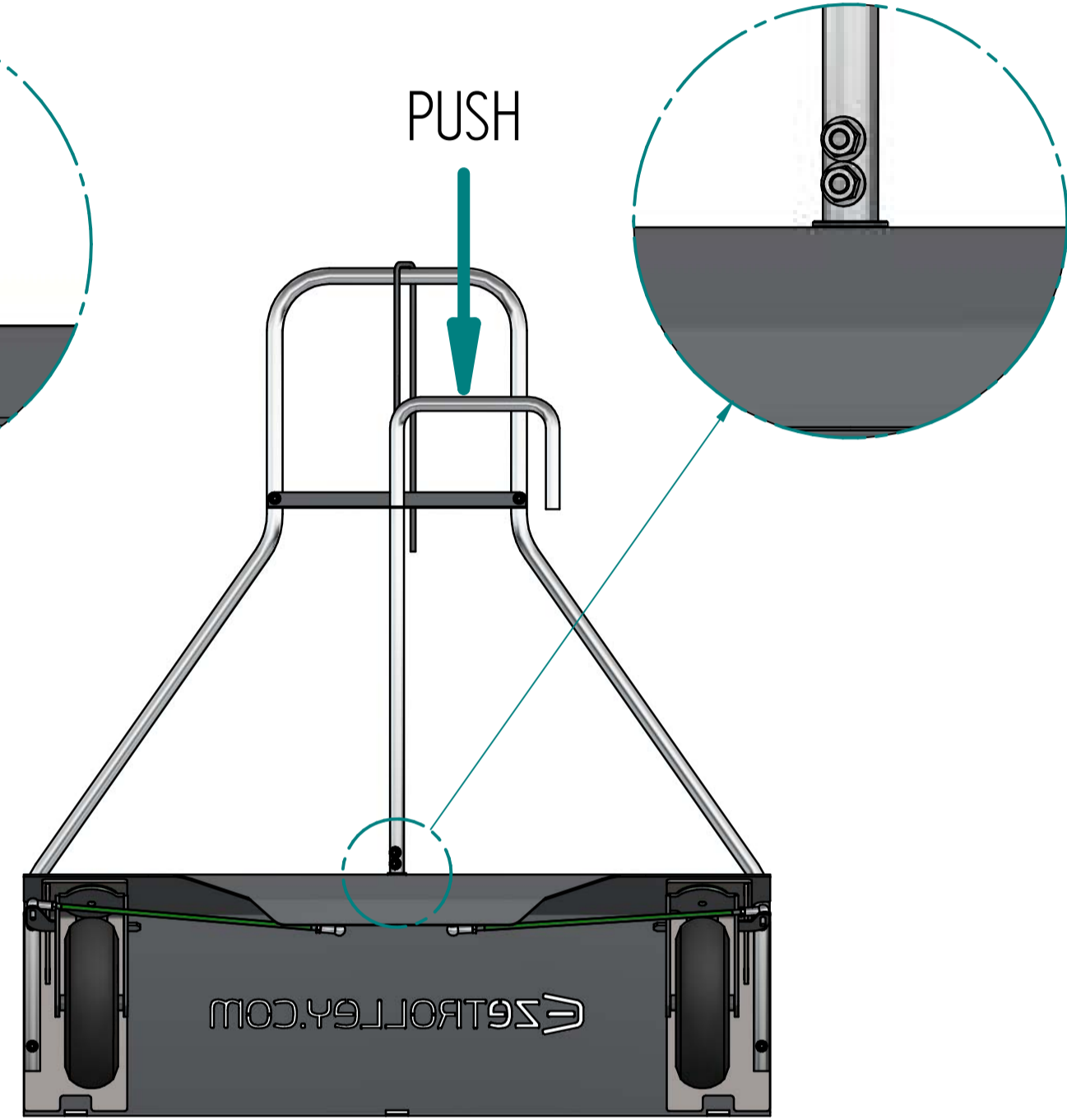
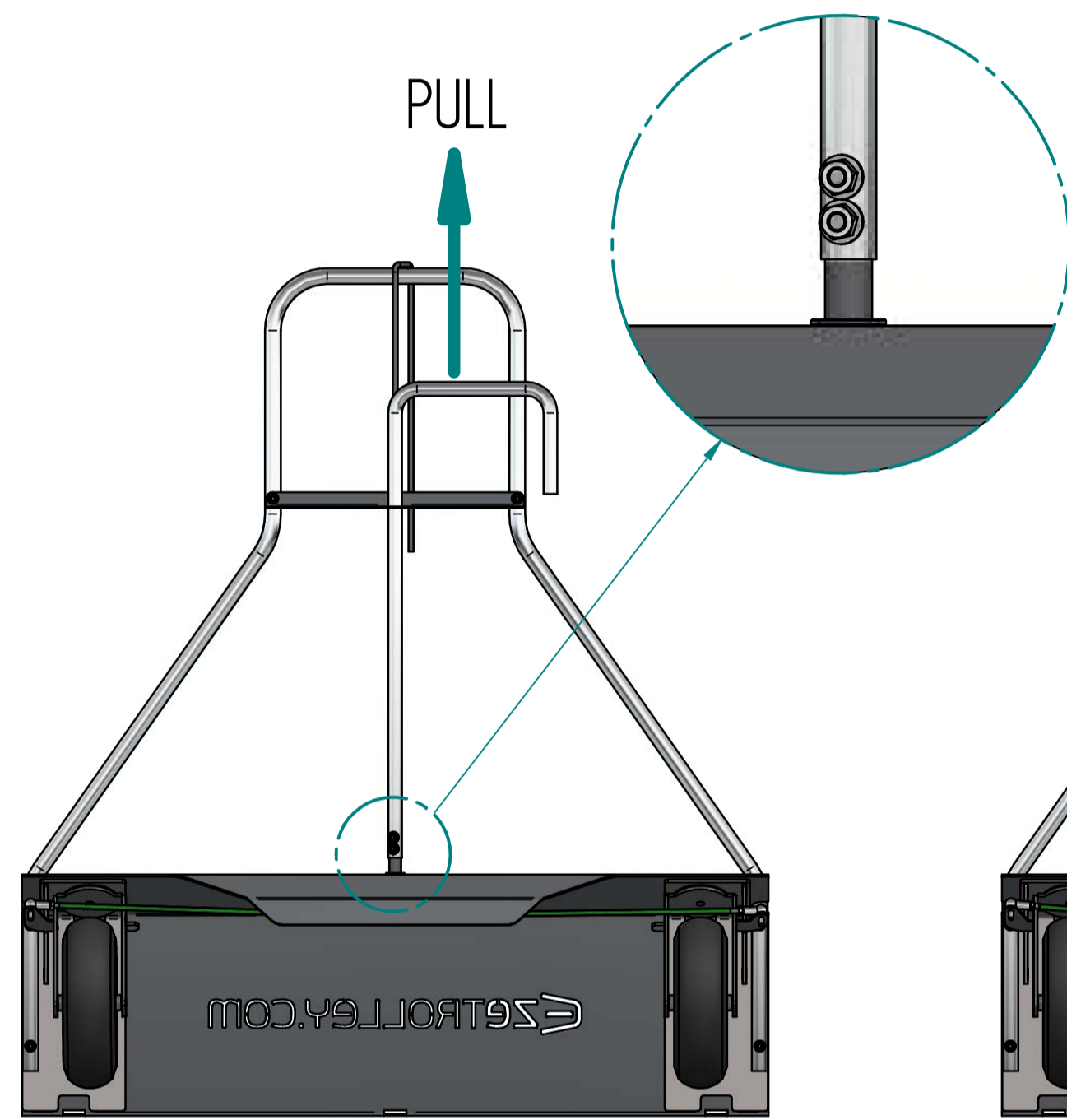


FORWARD LOCK ENGAGED

FORWARD LOCK DISENGAGED

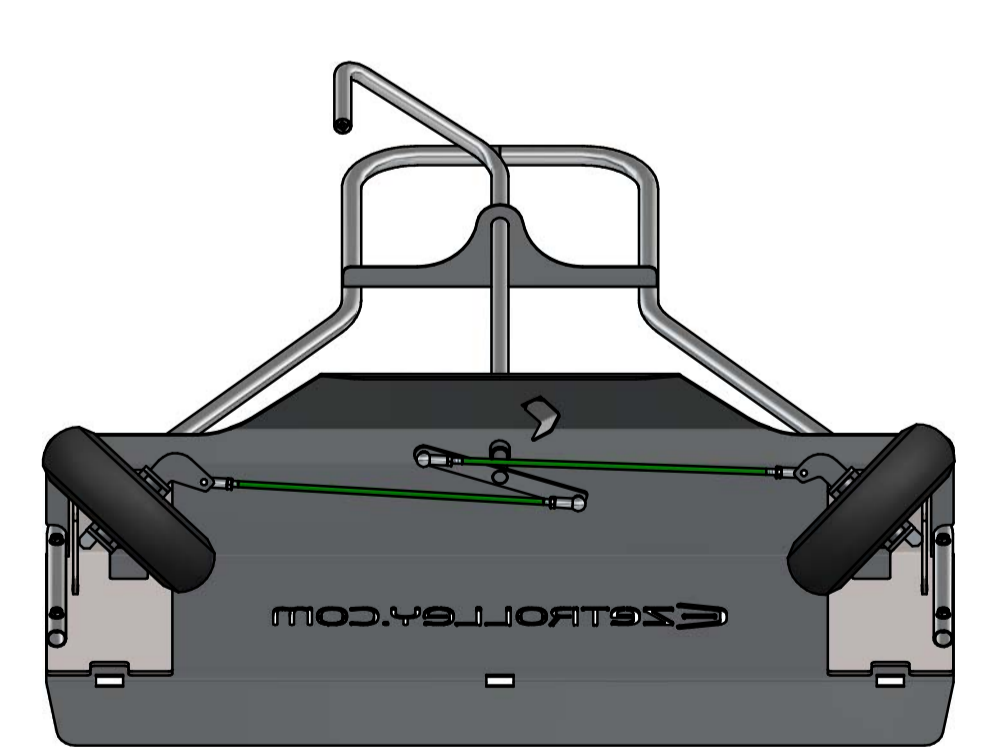
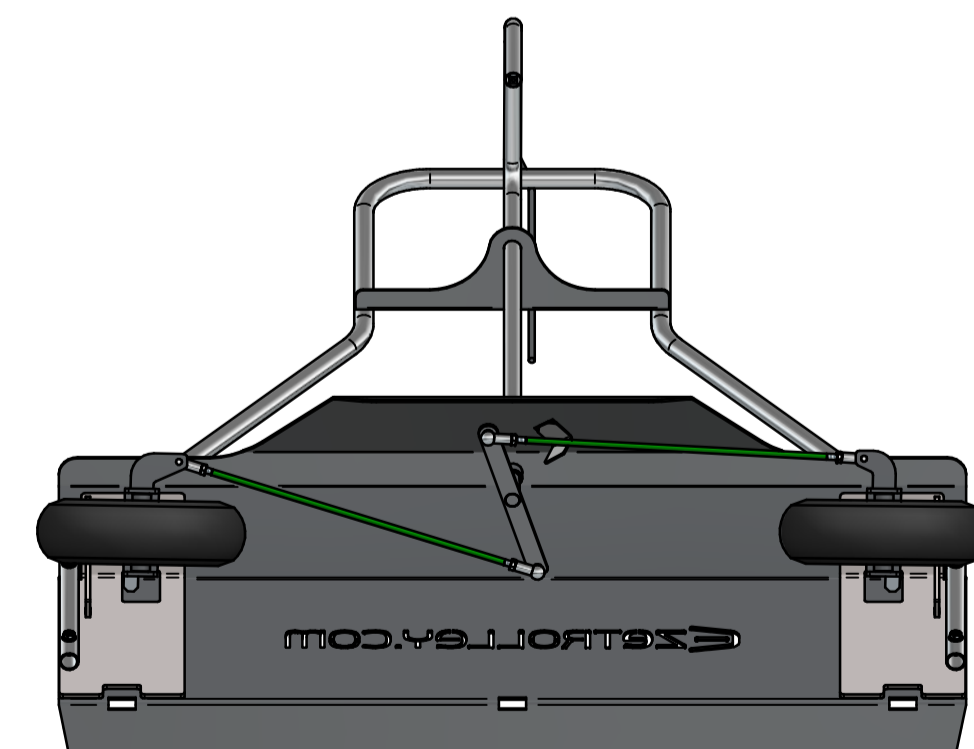
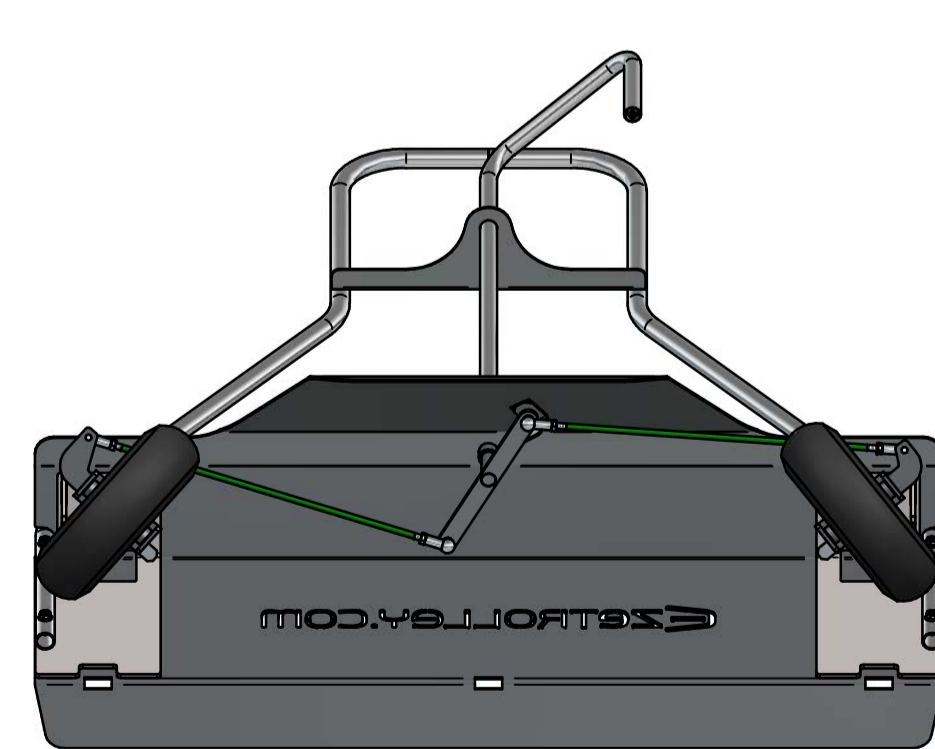
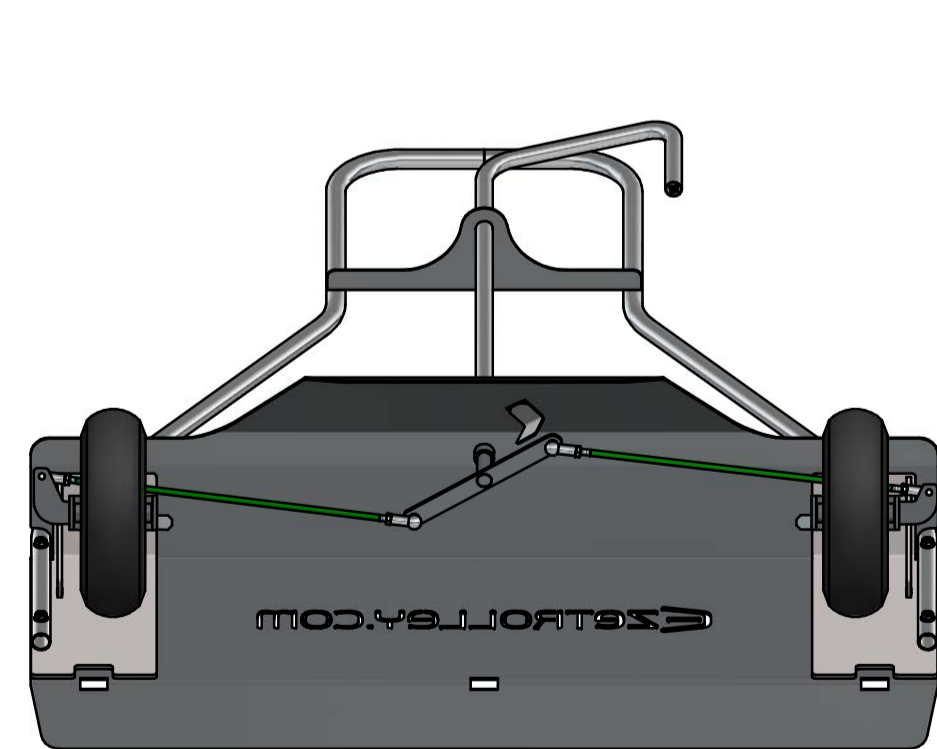
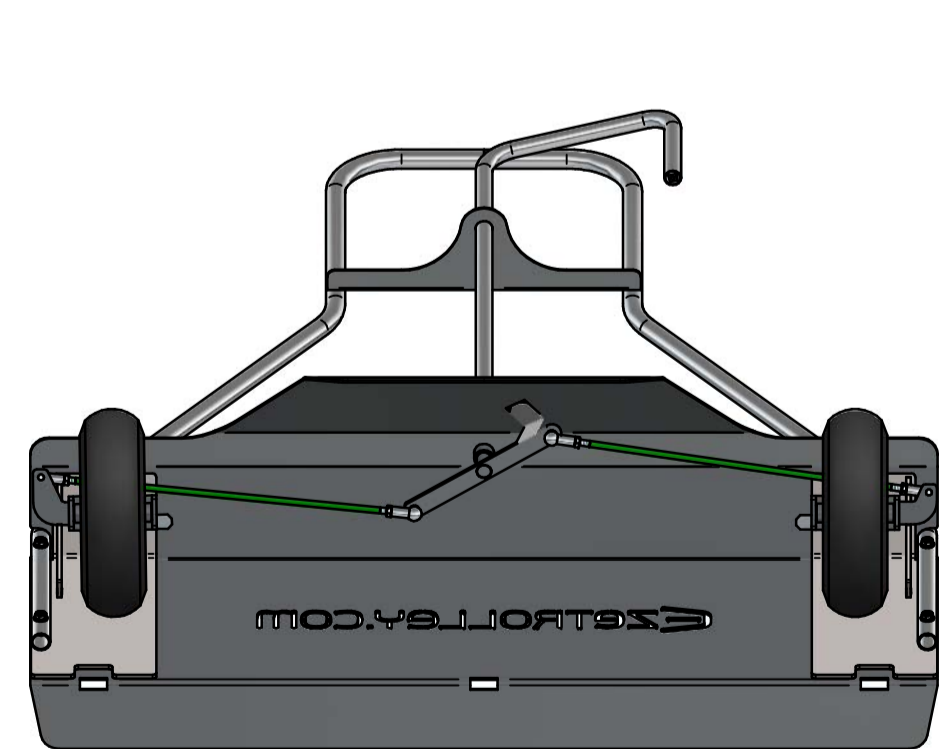


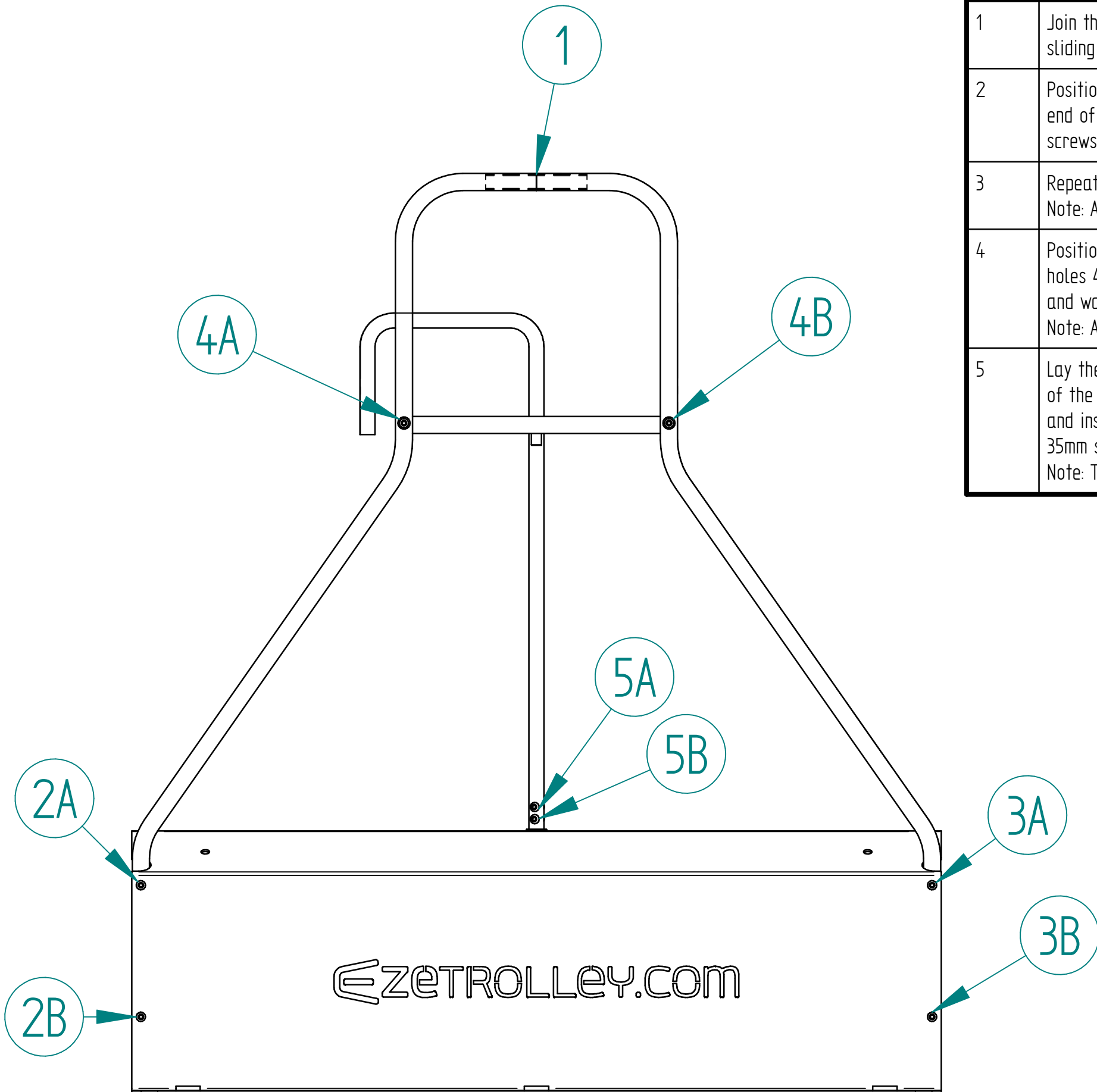
ENGAGE THE FORWARD LOCK POSITION

ENSURE THE TILLER IS IN THE FORWARD POSITION.  
USING A SWIFT MOTION, PULL THE TILLER DIRECTLY UPWARDS FROM THE TOP  
FACE OF THE TRAY.

DISENGAGE THE FORWARD LOCK POSITION

PUSH THE TOP OF THE TILLER DIRECTLY TOWARDS THE TOP OF THE TRAY TO  
DISENGAGE FORWARD LOCK.





Step	Description
1	Join the two handle bars by first inserting the retaining tube halfway into one handle bar and then sliding the other handle bar over the protruding tube.
2	Position the assembled handle bar on the tray by sliding the handle bar through the notches at either end of the tray. Align the holes 2A and 2B in the tray with the holes in the handle bar. Using M8 45mm screws, lock nuts and washers, loosely secure the left side of the handle bar to the tray.
3	Repeat the above step on holes 3A and 3B. Once all the screws are in place, tighten all four screws. Note: Avoid overtightening the screws as this will permanently deform the handle bar.
4	Position the Tiller Support as shown in the diagram in the lower right corner of the page. Align the holes 4A and 4B in the handle bar with the holes in the Tiller Support. Using M8 45mm screws, lock nuts and washers, secure the bracket in place. Note: Avoid overtightening the screws as this will permanently deform the handle bar.
5	Lay the trolley face-down. Slide the tiller through the hole in the tiller support until it reaches the top of the tray. From underneath the trolley, gently push the steering shaft through the bushing in the tray and inside the tiller. Align holes 5A and 5B on the tiller with the holes in the steering shaft. Using M8 35mm screws, lock nuts and washers, secure the tiller to the steering shaft. Note: The screws may be tight in some holes. In this case, gently tap the screw through the hole.

### TILLER SUPPORT – CORRECT ORIENTATION

